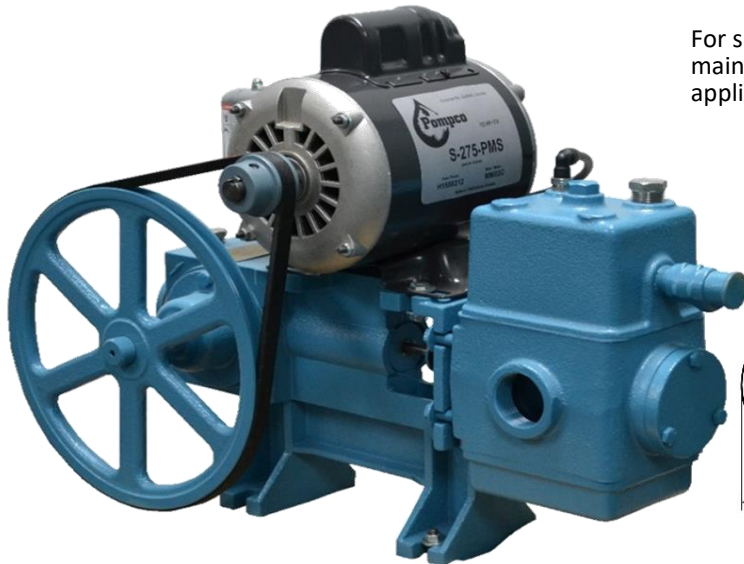
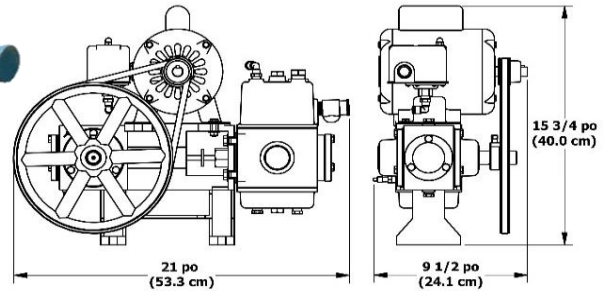


Cast iron piston pump



For shallow wells and well points: These pumps are mainly used on farms, residences, cottages, solar applications and sprinkling systems.



Part number	Model	H.P.	Capacity	Suction inch (mm)	Discharge inch (mm)	Shipping weight lb (kg)	Suggested list price
521-0005	S-275 with motor	1/3	275 gal/h (1040 l/h)	1 1/4" (31.8)	1" (25.4)	70 (32)	1 090,00 \$
521-0010	S-275 pump only		275 gal/h (1040 l/h)	1 1/4" (31.8)	1" (25.4)	54 (25)	809,00 \$
521-0015	S-450 with motor	1/3	450 gal/h (1703 l/h)	1 1/4" (31.8)	1" (25.4)	70 (32)	1 263,00 \$
521-0020	S-450 pump only		450 gal/h (1703 l/h)	1 1/4" (31.8)	1" (25.4)	54 (25)	844,00 \$
521-0025	S-600 with motor	1/2	600 gal/h (2271 l/h)	1 1/4" (31.8)	1" (25.4)	78 (35)	1 347,00 \$
521-0030	S-600 pump only		600 gal/h (2271 l/h)	1 1/4" (31.8)	1" (25.4)	54 (25)	862,00 \$

FEATURES

- On site maintenance possible due to an easy access to internal parts
- Built tough for a longer life span
- Constant pumping, even with the presence of air in the water
- Double-action piston, single cylinder
- Continuous efficiency at various pressures
- Increased resistance to particles in water
- Priming up to 25 feet (7.62 m)
- Safety valve 100 PSI
- Available in 3 models (S-275, S-450, S-600) and 2 versions:
Complete Pump: pump, motor and pressure switch set at 30/50 lb/in²
Pump only: no motor and pressure switch

CHARACTERISTICS

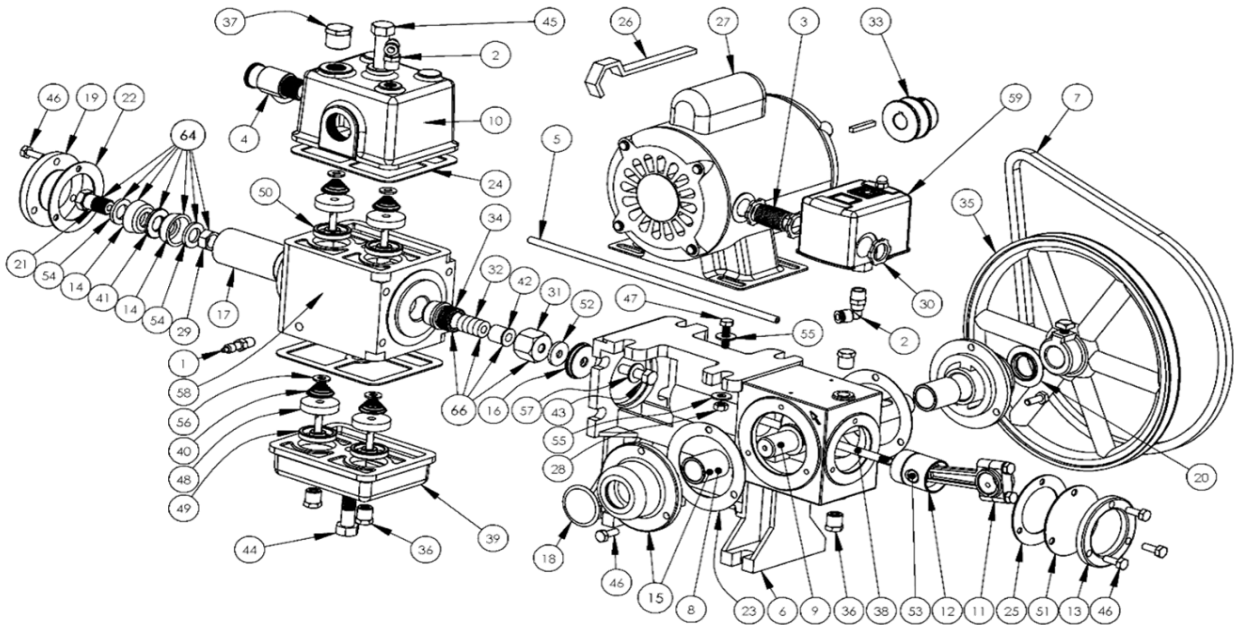
- 1/3 HP (115V) or 1/2 HP (115 or 230V) motor, capacitor starter, automatic thermal protection
- Main components: grey cast iron bronze and stainless steel.

Each pump is tested at our factory.



Replacement parts

Cast iron piston pump



#	Part number	Description	Suggested list price	#	Part number	Description	Suggested list price
1	023-0060	SN-18L SNIFFER VALVE - NO LEAD	5,20 \$	33	522-3504	MOTOR PULLEY 1 3/4" O.D. - S-275, S-450	22,10 \$
2	023-0572	469-4B ELBOW	6,10 \$	33	522-3505	MOTOR PULLEY 2" O.D. - S-600	24,30 \$
3	024-0759	NIPPLE 1/2 x CLOSE (BLACK)	2,50 \$	34	522-3506	PACKING BOX S/S	32,10 \$
4	044-7130	RV-50 / 100 PSI RELIEF VALVE - NO LEAD	18,40 \$	35	522-3509	10" PUMP PULLEY - 7/8" BORE	75,60 \$
5	242-0500	MV-4040 POLYETHYLENE TUBING	1,03 \$	36	522-3510	1/4" NPT S/S PLUG	4,40 \$
6	522-0300	PUMP BODY	178,30 \$	37	522-3511	1/2" NPT S/S PLUG	6,50 \$
7	522-0301	V-BELT (4L-360)	9,80 \$	38	522-4000	PISTON ROD S/S	14,00 \$
8	522-0302	CRANKSHAFT BUSHING	18,30 \$	39	522-4200	SUCTION CHAMBER (ITEMS 39,49)	84,30 \$
9	522-0800	CRANKSHAFT	80,60 \$	40	522-4201	SPRING VALVE S/S	1,50 \$
10	522-0801	AIR CHAMBER	87,50 \$	41	522-4206	S-275 PISTON SPACER S/S	9,30 \$
11	522-0803	BRASS CONNECTING ROD ASSEMBLY	99,30 \$	41	522-4207	S-450 PISTON SPACER S/S	12,60 \$
12	522-0804	PISTON HEAD	29,60 \$	41	522-4208	S-600 PISTON SPACER S/S	12,80 \$
13	522-0805	CRANKCASE COVER	18,90 \$	42	522-4210	PACKING BOX SLEEVE S/S	19,40 \$
14	522-0806	(1 3/8") S-275 LEATHER CUP	9,20 \$	43	522-4215	3/8-16 x 1 1/2" HEXAGONAL BOLT (PLATED)	1,20 \$
14	522-0807	(1 3/4") S-450 LEATHER CUP	11,50 \$	44	522-4216	1/2 x 2" HEXAGONAL BOLT (PLATED)	1,60 \$
14	522-0808	(1 7/8") S-600 LEATHER CUP	10,50 \$	45	522-4217	1/2 x 4" HEXAGONAL BOLT (PLATED)	2,50 \$
15	522-0809	CRANKSHAFT BEARING ASSEMBLY (ITEMS 4,11)	67,90 \$	46	522-4218	1/4-20 x 3/4" HEXAGONAL BOLT (PLATED)	0,70 \$
16	522-0812	PISTON ROD GUIDE	11,40 \$	47	522-4219	1/4-20 x 1" HEXAGONAL BOLT (PLATED)	0,80 \$
17	522-0815	S-275 S/S cylinder	29,30 \$	48	522-5100	NEOPRENE VALVE DISC	2,40 \$
17	522-0816	S-450 YELLOW BRASS CYLINDER	63,50 \$	49	522-5101	SEAT VALVE SUCTION CHAMBER S/S	19,60 \$
17	522-0817	S-600 S/S cylinder	34,70 \$	50	522-5102	SEAT VALVE AIR CHAMBER S/S	19,60 \$
18	522-0818	CRANKSHAFT BEARING PLUG (CLOSE)	2,00 \$	51	522-5105	WINDOW	9,50 \$
19	522-0819	WATER BOX HEAD COVER	28,90 \$	52	522-5303	ROD WIPER	1,30 \$
20	522-0828	CRANKSHAFT BEARING PLUG (OPEN)	4,30 \$	53	522-5305	HEAD PISTON PIN	13,90 \$
21	522-2001	PISTON ADJUSTING BOLT S/S	17,30 \$	54	522-5306	S-275 PISTON WASHER S/S	6,40 \$
22	522-2200	PUMP BODY GASKET	2,40 \$	54	522-5307	S-450 PISTON WASHER S/S	9,70 \$
23	522-2202	CRANKSHAFT BEARING GASKET	3,00 \$	54	522-5308	S-600 PISTON WASHER S/S	11,80 \$
24	522-2203	WATER BOX GASKET	3,80 \$	55	522-5311	1/4" WASHER (PLATED)	0,70 \$
25	522-2205	WATER BOX HEAD COVER GASKET	4,10 \$	56	522-5312	1/4" WASHER (BRASS)	0,90 \$
26	522-2800	PACKING BOX NUT KEY	13,70 \$	57	522-5313	5/16" WASHER (PLATED)	0,70 \$
26	522-3000	1/3 HP MOTOR WITH CAPACITOR (S-275,S-450)	391,00 \$	58	522-5800	S-275 WATER BOX ASSEMBLY (ITEM 17,34,50,58)	191,20 \$
27	522-3001	1/2 HP MOTOR WITH CAPACITOR (S-600)	645,00 \$	58	522-5801	S-450 WATER BOX ASSEMBLY (ITEM 17,34,50,58)	240,00 \$
28	522-3101	1/4 x 20 HEXAGONAL NUT (PLATED)	0,80 \$	58	522-5802	S-600 WATER BOX ASSEMBLY (ITEM 17,34,50,58)	235,90 \$
29	522-3102	BRASS PISTON JAM NUT S/S	10,50 \$	59	661-0150	FSG-2P / 30-50 PRESSURE SWITCH	39,20 \$
30	522-3105	ELECTRIC LOCK NUT 1/2" NPT	1,40 \$	64	522-5500	S-275 PISTON CUP ASS'Y (ITEM 14,21,29,41,54)	68,00 \$
31	522-3501	BRASS PACKING BOX NUT S/S	27,50 \$	64	522-5501	S-450 PISTON CUP ASS'Y (ITEM 14,21,29,41,54)	81,90 \$
32	522-3502	PACKING KIT (4)	7,60 \$	64	522-5502	S-600 PISTON CUP ASS'Y (ITEM 14,21,29,41,54)	90,40 \$
				66	522-3515	PACKING BOX ASSEMBLY (ITEM 14,21,29,41,54)	76,50 \$

Stainless steel piston pump



Application example ▶

For shallow wells and well points. These pumps can also be used in the food industry (sugar bush, liquid transfer). It could also be used on farms, residences, cottages, solar applications, sprinkling systems.



Pulsation dampener is included with each syrup model. Reduces vibrations and pulsation.

	Part number	Model	H.P.	Capacity	Suction inch (mm)	Discharge inch (mm)	Shipping weight lb (kg)	Suggested list price	
SYRUP/HOT WATER	521-0105	S-275 S/S with motor	1/2	275 gal/h(1040 l/h)	1 ¼" (31.8)	1" (25.4)	68 (31)	1 602,00 \$	
	521-0110	S-275 S/S pump only			1 ¼" (31.8)	1" (25.4)	45 (20)	1 181,00 \$	
	521-0125	S-600 S/S with motor	3/4	600 gal/h (2271 l/h)	1 ¼" (31.8)	1" (25.4)	72 (33)	1 749,00 \$	
	521-0130	S-600 S/S pump only			1 ¼" (31.8)	1" (25.4)	45 (20)	1 263,00 \$	
	Stainless steel pump body only								
	521-0175	S-275 S/S body			1 ¼" (31.8)	1" (25.4)		812,00 \$	
	521-0185	S-600 S/S body			1 ¼" (31.8)	1" (25.4)		862,00 \$	
	019-9000	Pulsation dampener ZEP-1 S/S						92,00 \$	
COLD WATER	521-0405	S-275 S/S with motor	1/3	275 gal/h (1040 l/h)	1 ¼" (31.8)	1" (25.4)	60 (27)	1 403,00 \$	
	521-0410	S-275 S/S pump only			1 ¼" (31.8)	1" (25.4)	45 (20)	1 190,00 \$	
	521-0425	S-600 S/S with motor	1/2	600 gal/h(2271 l/h)	1 ¼" (31.8)	1" (25.4)	68 (31)	1 573,00 \$	
	521-0430	S-600 S/S pump only			1 ¼" (31.8)	1" (25.4)	45 (20)	1 246,00 \$	
	Stainless steel pump body only								
	521-0190	S-275 S/S body			1 ¼" (31.8)	1" (25.4)		774,00 \$	
	521-0195	S-600 S/S body			1 ¼" (31.8)	1" (25.4)		812,00 \$	

FEATURES

- On site maintenance possible due to an easy access to internal parts
- Built tough for longer life span
- Constant pumping even with presence of air in the water
- Double-action piston, single cylinder
- Continuous efficiency at various pressures.
- Increased resistance to particles in water.
- Priming up to 25 feet (7.62 m)
- Safety valve 100 PSI
- Available in 2 models (S-275 S/S, S-600 S/S)
- 2 versions: **Complete Pump**: pump and motor

CHARACTERISTICS

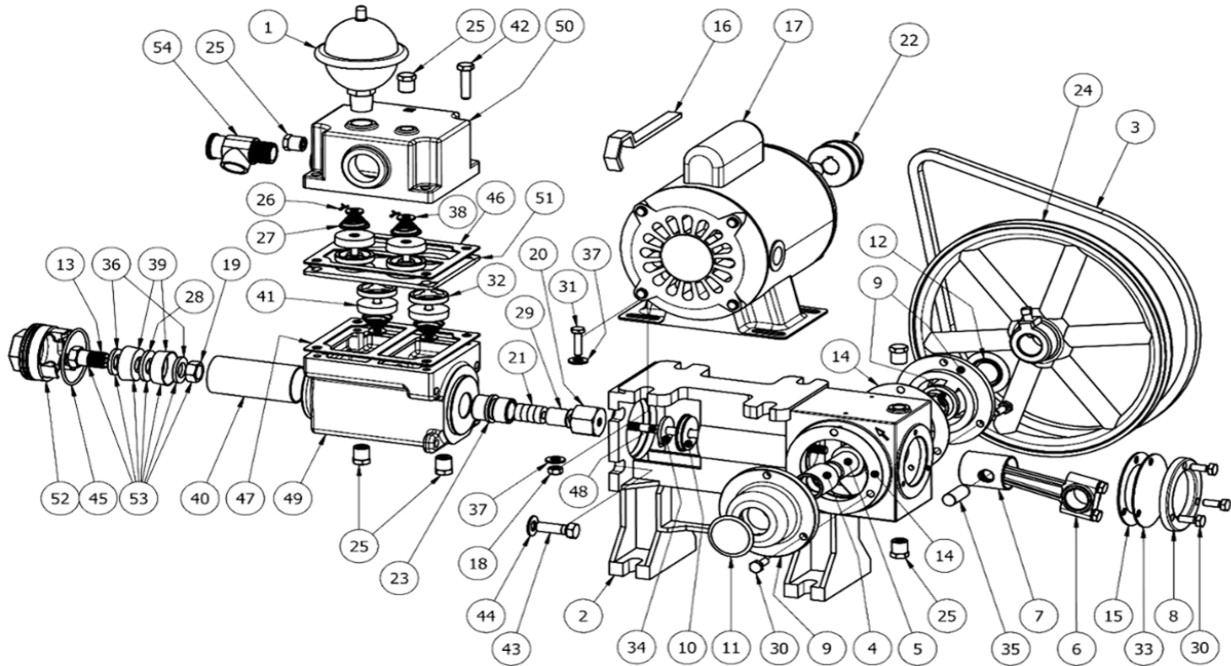
- Components in contact with liquid are all made of 304 stainless steel.
- Heat proof NYLON valves and cups (*syrup/hot water version*)
- Rubber valves and leather cups (*cold water version*)
- Pressure switch included (*cold water version*) with motor.

Each pump is tested at our factory.



Replacement parts

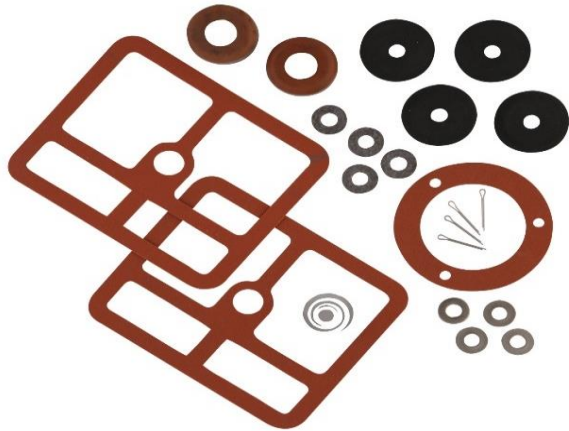
Stainless steel piston pump (hot water version)



#	Part number	Description	Suggested list price
1	019-9000	ZEP 1 TANK S/S	92,00 \$
2	522-0300	PUMP BODY	178,30 \$
3	522-0301	V-BELT (4L-360)	9,80 \$
4	522-0302	CRANKSHAFT BUSHING	18,30 \$
5	522-0800	CRANKSHAFT	80,60 \$
6	522-0803	BRASS CONNECTING ROD ASSEMBLY	99,30 \$
7	522-0804	PISTON HEAD	29,60 \$
8	522-0805	CRANKCASE COVER	18,90 \$
9	522-0809	CRANKSHAFT BEARING ASSEMBLY (ITEMS 4,11)	67,90 \$
10	522-0812	PISTON ROD GUIDE	11,40 \$
11	522-0818	CRANKSHAFT BEARING PLUG (CLOSE)	2,00 \$
12	522-0828	CRANKSHAFT BEARING PLUG (OPEN)	4,30 \$
13	522-2001	S/S PISTON BOLT	17,30 \$
14	522-2202	CRANKSHAFT BEARING GASKET	3,00 \$
15	522-2205	PUMP BODY GASKET	4,10 \$
16	522-2800	PACKING BOX NUT KEY	13,70 \$
17	522-3001	1/2 HP MOTOR (S-275SS)	645,00 \$
17	522-3003	3/4 HP MOTOR (S-275SS)	645,00 \$
18	522-3101	1/4 X 20 HEXAGONAL NUT (PLATED)	0,80 \$
19	522-3102	S/S PISTON JAM NUT	10,50 \$
20	522-3501	S/S PACKING BOX NUT	27,50 \$
21	522-3502	PACKING KIT (4)	7,60 \$
22	522-3504	MOTOR PULLEY 1 3/4" O.D. SS-275	22,10 \$
22	522-3505	MOTOR PULLEY 2" O.D. SS-600	24,30 \$
23	522-3506	S/S PACKING BOX	32,10 \$
24	522-3509	10" PUMP PULLEY—7/8" BORE	75,60 \$
25	522-3510	1/4" NPT S/S PLUG	4,40 \$
26	522-3512	CUTTER PIN	0,90 \$
27	522-4201	SPRING VALVE	1,50 \$
28	522-4206	S-275SS PISTON SPACER	9,30 \$
28	522-4208	S-600SS PISTON SPACER	12,80 \$

#	Part number	Description	Suggested list price
29	522-4210	S/S PACKING BOX SLEEVE	19,40 \$
30	522-4218	14-20 X 3/4" HEXAGONAL BOLT (PLATED)	0,70 \$
31	522-4219	1/4-20 X 1" HEXAGONAL BOLT (PLATED)	0,80 \$
32	522-5101	S/S VALVE SEAT	19,60 \$
33	522-5105	WINDOW	9,50 \$
34	522-5303	ROD WIPER	1,30 \$
35	522-5305	HEAD PISTON PIN	13,90 \$
36	522-5306	S-275SS PISTON WASHER	6,40 \$
36	522-5308	S-600SS PISTON WASHER	11,80 \$
37	522-5311	1/4" WASHER (PLATED)	0,70 \$
38	522-5312	1/4" WASHER (S/S)	0,90 \$
39	522-6275	S-275SS NYLON PISTON CUP	20,80 \$
39	522-6600	S-600SS NYLON PISTON CUP	23,90 \$
40	522-6725	S-275SS S/S CYLINDER	35,70 \$
40	522-0817	S-600SS CYLINDER	34,70 \$
41	522-7050	NYLON VALVE	15,70 \$
42	522-7405	5/16-18 X 1 1/4" HEX BOLT (S/S)	2,00 \$
43	522-7410	3/8-16 X 1 1/4" HEX BOLT (S/S)	2,20 \$
44	522-7415	3/8" S/S WASHER	1,00 \$
45	522-7450	O'RING	1,30 \$
46	522-7480	WATER BOX SEAL	13,90 \$
47	522-7480	WATER BOX SEAL	13,90 \$
48	522-7600	S/S PISTON PUMP ROD	15,20 \$
49	522-8000	S/S WATER BOX	303,10 \$
50	522-8030	S/S AIR CHAMBER	193,40 \$
51	522-8052	S/S SEAT PLATE ASS'Y	131,60 \$
52	522-8100	S/S PISTON PLUG	46,90 \$
53	522-8200	S-275SS ASS'Y PISTON	71,10 \$
53	522-8202	S-600SS ASS'Y PISTON	89,10 \$
54	711-0050	RELIEF VALVE S/S	26,40 \$

Piston pump repair kit



INCLUDES:

- Leather cups
- Gaskets
- Rubber valves
- Springs, washers and cutter pins kit
- Packing kits

Part number	Description	Suggested list price
522-2801	Pompcos S-275	36,70 \$
522-2802	Pompcos S-450	38,90 \$
522-2803	Pompcos S-600	38,90 \$
522-2811	Pompcos S-275 (C.I.)	69,10 \$
522-2812	Pompcos S-450 (C.I.)	72,00 \$
522-2813	Pompcos S-600 (C.I.)	76,50 \$
522-2850	Pompcos S-275 (S/S) - hot	84,80 \$
522-2852	Pompcos S-600 (S/S) - hot	91,40 \$
522-2865	Pompcos S-275 (S/S) - cold	52,50 \$
522-2870	Pompcos S-600 (S/S) - cold	53,10 \$
523-0001	Beatty 300	47,40 \$
523-0002	Beatty 301	84,30 \$
523-0003	Beatty 1475-1775	58,10 \$
523-0004	Beatty 1495-1795	87,20 \$
523-0010	Fairbank-Morse 200	65,80 \$
523-0011	Fairbank-Morse 250	66,50 \$
523-0012	Fairbank-Morse 425	54,80 \$
523-0013	Fairbank-Morse 625	105,60 \$
523-0020	National 25	57,80 \$
523-0021	National 100	52,50 \$
523-0022	National 101	54,40 \$
523-0030	McDougall 7502	61,60 \$
523-0031	McDougall 7503	65,70 \$

Part number	Description	Suggested list price
523-0032	McDougall 1406	71,90 \$
523-0033	McDougall 1407	71,40 \$
523-0040	GSW 3007 1 1/4"	46,60 \$
523-0041	GSW 3006 1 1/2"	46,80 \$
523-0050	Beaumont B-3	51,20 \$
523-0055	Homart / Sears C-90 - 1 1/8"	68,80 \$
523-0056	Homart / Sears C-259 - 1 1/4"	69,60 \$
523-0060	Otaco	58,20 \$
523-0065	Royal R-4	43,60 \$
523-0070	Homart / Sears C-390 - 1 3/8"	64,50 \$
523-0101	Duro K-255 / B-251	36,60 \$
523-0102	Duro K-365	46,40 \$
523-0103	Duro E-250	46,80 \$
523-0104	Duro E-360	49,00 \$
523-0105	Duro E-500	68,40 \$
523-0106	Duro E-720	76,40 \$
523-0500	Southern S-250 / Teco	42,40 \$
523-0501	Southern S-425	42,60 \$
523-0502	Southern S-575	52,50 \$
523-0505	Southern P-265	56,30 \$
523-0506	Southern P-275	60,50 \$
523-0507	Southern P-450	66,50 \$
523-0508	Southern P-600	70,90 \$



Replacement parts

Piston pump

Leather cups

Part number	Model	Suggested list price
523-2000	1" x 1/2"	9,20 \$
523-2005	1 1/8" x 1/2"	7,40 \$
523-2010	1 1/4" x 1/2"	7,70 \$
523-2015	1 1/4" x 1/4"	6,80 \$
522-0811	1 1/4" x 5/8"	8,10 \$
523-2020	1 3/8" x 1/4"	7,70 \$
523-2025	1 3/8" x 1/2"	7,10 \$
522-0806	1 3/8" x 5/8"	9,20 \$
523-2030	1 1/2" x 1/2"	7,80 \$
523-2035	1 1/2" x 5/8"	9,80 \$
522-0810	1 5/8" x 5/8"	10,70 \$

Part number	Model	Suggested list price
522-0807	1 3/4" x 5/8"	11,50 \$
522-0808	1 7/8" x 5/8"	10,50 \$
523-2037	1 15/16" x 5/8"	15,30 \$
515-0501	2" x 1 1/4"	11,20 \$
523-2040	2 1/2" x 5/8"	11,90 \$
523-2045	3" x 5/8"	14,40 \$
522-0700	3" x 2"	18,80 \$
523-2050	3 1/2" x 2 1/2"	15,70 \$
523-2055	4" x 2 1/2"	23,30 \$
523-2060	4" x 1"	24,10 \$
523-2065	6" x 1"	98,60 \$

Packings

Part number	Model	Suggested list price
522-3503	11/16" x 5/16" x 1/4" (Southern / Pompcos)	2,40 \$
523-0200	9/16" x 5/16" x 1/4" (Duro / Homart)	2,50 \$
523-0250	3/4" x 5/16" x 1/4" (GSW / Beatty / McDougall)	3,70 \$

Part number	Model	Suggested list price
523-0275	13/16" x 7/16" x 3/16"	3,70 \$
523-0300	3/4" x 3/8" x 3/16"	3,70 \$

Springs

Part number	Model	Suggested list price
522-4201	#26 Spring (Pompcos / Beatty / Duro / Southern)	1,50 \$
523-0400	#21 Spring (GSW)	2,00 \$

Part number	Model	Suggested list price
523-0410	#22 Spring (Homart)	3,30 \$
523-0420	#25 Spring (McDougall)	1,80 \$

Brass cylinders

Part number	Model	Suggested list price
522-0815	Pompcos S-275 / Southern S-250 cylinder	29,30 \$
522-0816	Pompcos S-450 cylinder S/S	63,50 \$
522-0817	Pompcos S-600 cylinder S/S	34,70 \$
523-0160	Duro K-255 cylinder S/S	31,20 \$
523-0161	Duro E-500 / E-250 cylinder	41,10 \$

Part number	Model	Suggested list price
523-0162	Duro K-365 cylinder	54,60 \$
523-0163	Duro E-720 / E-360 cylinder	60,60 \$
523-0170	GSW 1 1/4" cylinder	43,50 \$
523-0171	GSW 1 1/2" cylinder	69,30 \$

"DURO" water box

Part number	Model	Suggested list price
523-0151	"DURO" water box assembly for K-255 model	357,60 \$

Piston rods

Part number	Model	Suggested list price
522-3990	Southern 8"	13,40 \$
522-4000	Pompcos/Southern 7 1/4"	14,00 \$
-	-	-

Part number	Model	Suggested list price
523-0600	Duro	19,20 \$
523-0610	Duro - conversion 7"	19,10 \$
523-0700	GSW / Beatty 8 1/4"	22,50 \$

Solar piston pump (12 volts)



This solar piston pump has several advantages:

- A reliable and stable system, resistant to weather, UV radiation and temperature variations .
- Environmentally friendly.
- Simple installation.
- Low operating cost.
- Minimal maintenance.
- 27 amperes 12 V Motor

Ideal for farms, homes and cottages.

Part number	Model	H.P.	Capacity	Suction inch (mm)	Discharge inch (mm)	Shipping weight lb (kg)	Suggested list price
521-0705	S-275	1/3 HP	275 gal/h (1040 l/h)	1 ¼" (31.8)	1" (25.4)	70 (32)	1 947,00 \$

Average consumption

Use	Number of people	Solar panels needed	Battery recharge	Battery capacity
Cottage	2 people	1 to 140W	Sunny day: 100% / Rainy day: 50%	Sunny day: 8h /Rainy day: 2h
Home	4 people	3 to 140W	Sunny day: 100% / Rainy day: 50%	Sunny day: 8h /Rainy day: 2h

***Minimal cable size: Grade 10**

FEATURES

- On site maintenance possible due to an easy access to internal parts
- Constant pumping, even with the presence of air in water
- Double-action piston, single cylinder
- Continuous efficiency at various pressures.
- Increased resistance to particles in water.
- Priming up to 25 feet (7.62 m)
- Safety valve 100 PSI

ACCESSORIES

- 1/3 HP motor (12V)
- Pressure switch 30/50 lb/in 2 specially designed for 12 Volt application

SUGGESTED ACCESSORIES

- 12V battery deep discharge*
- 140W Solar panel*
- 12/24/48 V regulator*
- *Sold separately

MAXIMAL CABLE LENGTH IN FEET BETWEEN SOLAR COMPOSANTS

Selection Wire intensity	Wire size							
	#14	#12	#10	#8	#6	#4	#2	#1/0
8 A (1 x 149W panel)	14	22	35	56	88	141	225	355
16 A (2 x 140 W panel)	6	8.5	13	22	35	56	90	144
24 A (3 x 140 W panel)			8	13	22	33	54	86



Protection guard for PISTON PUMPS

PROTECTION GUARD FOR PISTON PUMP	
Part number	Suggested list price
522-0020	193,40 \$

NEW

Fits on all piston pumps!

